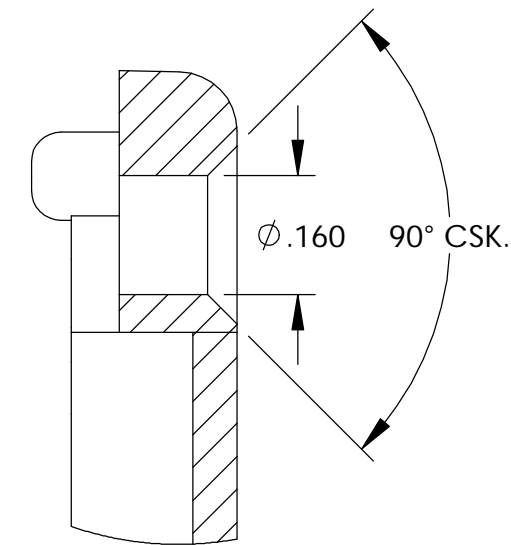


THE INFORMATION CONTAINED IN THIS DRAWING IS THE SOLE PROPERTY OF BUD INDUSTRIES INC. ANY REPRODUCTION IN PART OR WHOLE WITHOUT THE WRITTEN PERMISSION OF BUD INDUSTRIES INC. IS PROHIBITED.

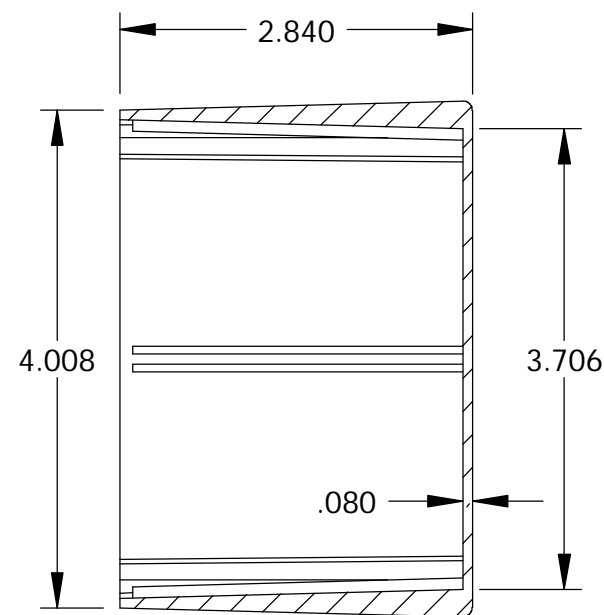
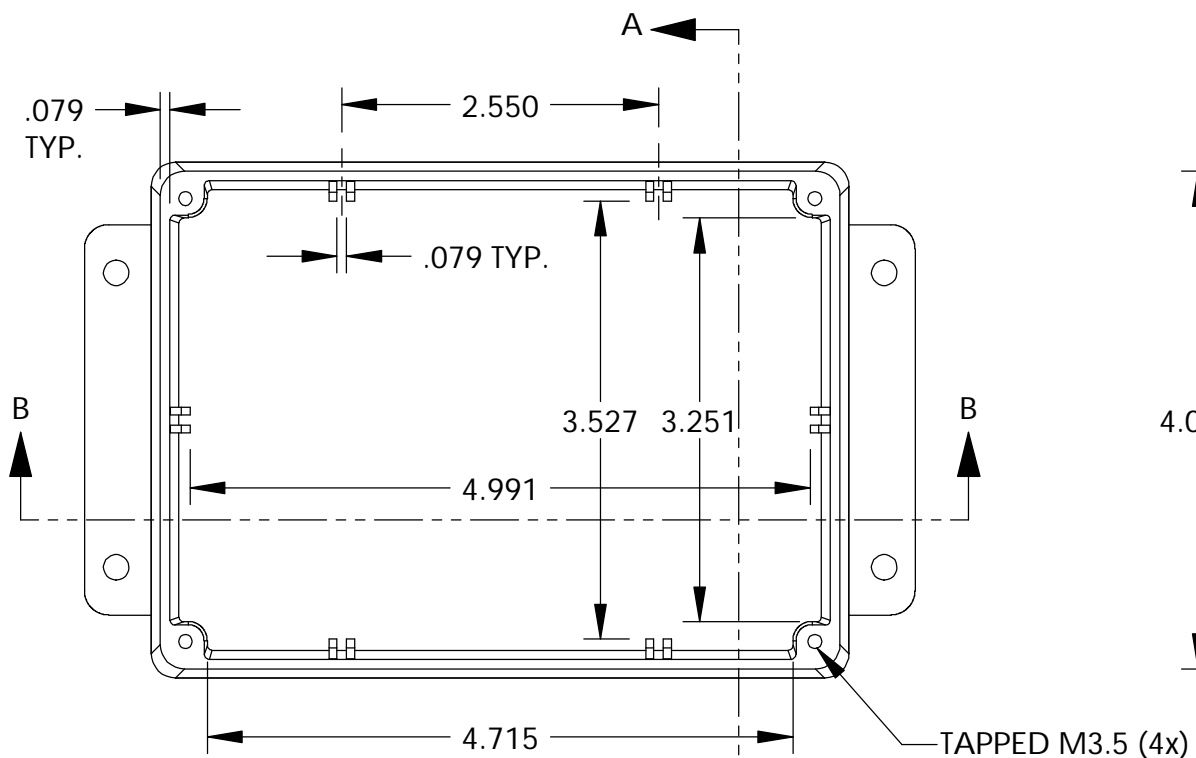
MATERIAL - ALUMINUM ALLOY #ADC-12
 FINISH - NATURAL (CONTACT BUD FACTORY FOR ALTERNATE FINISHES)
 GASKET - RATED IP65 NEOPRENE, SELF-ADHESIVE, 3mm THICK, COLOR BLACK
 SCREWS - STAINLESS STEEL, M3.5 x 12mm LG., CSK. HEAD, SELF-THREADING

ALL HOLE DIAMETERS HAVE ±.005 TOLERANCE.
 ALL OTHER DIMENSIONS HAVE ±.015 TOLERANCE.
 ENCLOSURES ARE SHIPPED UNASSEMBLED WITH ALL ITEMS SHOWN.

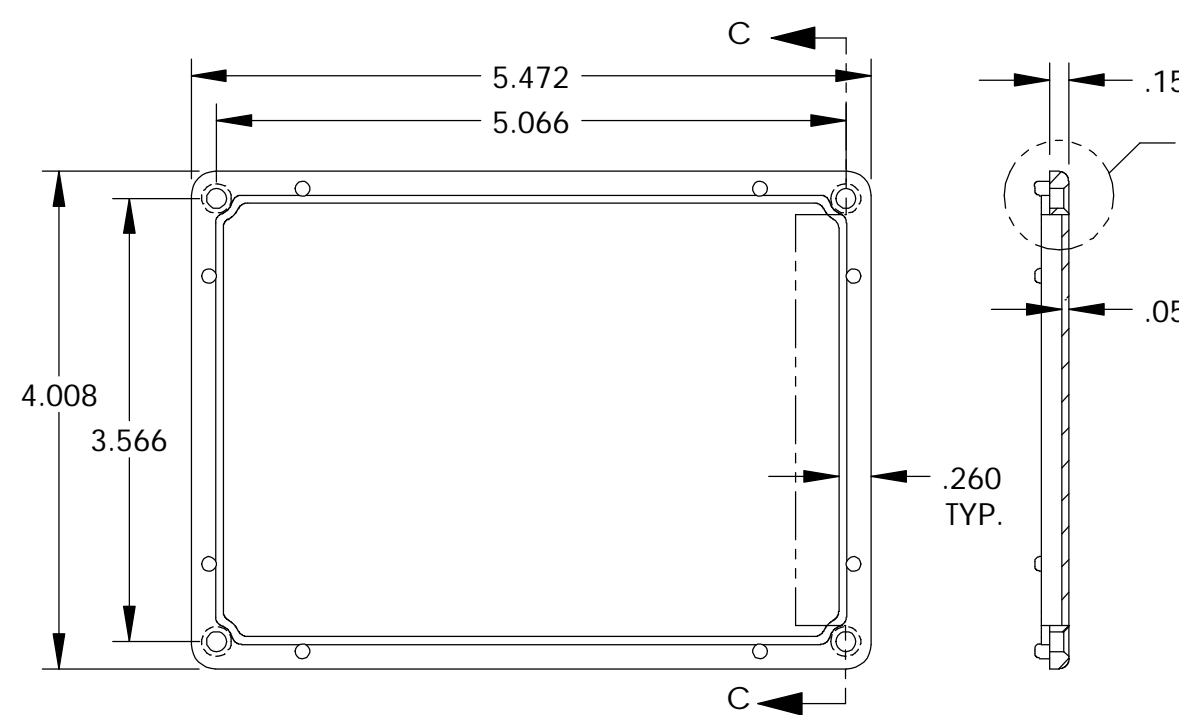
DWG. NO.	CN-6707
ISSUE	REVISIONS



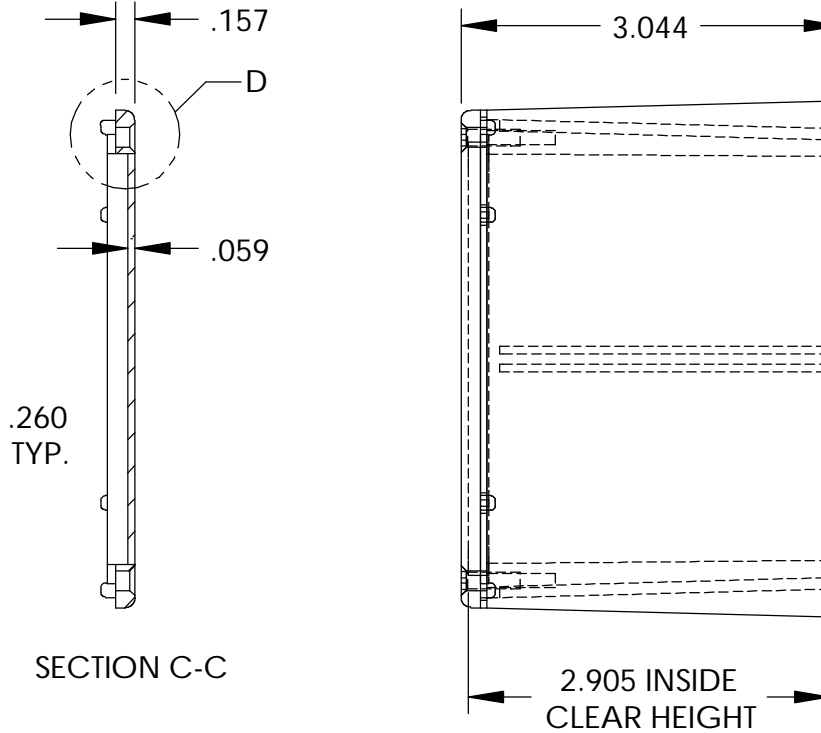
DETAIL D
SCALE 4 : 1



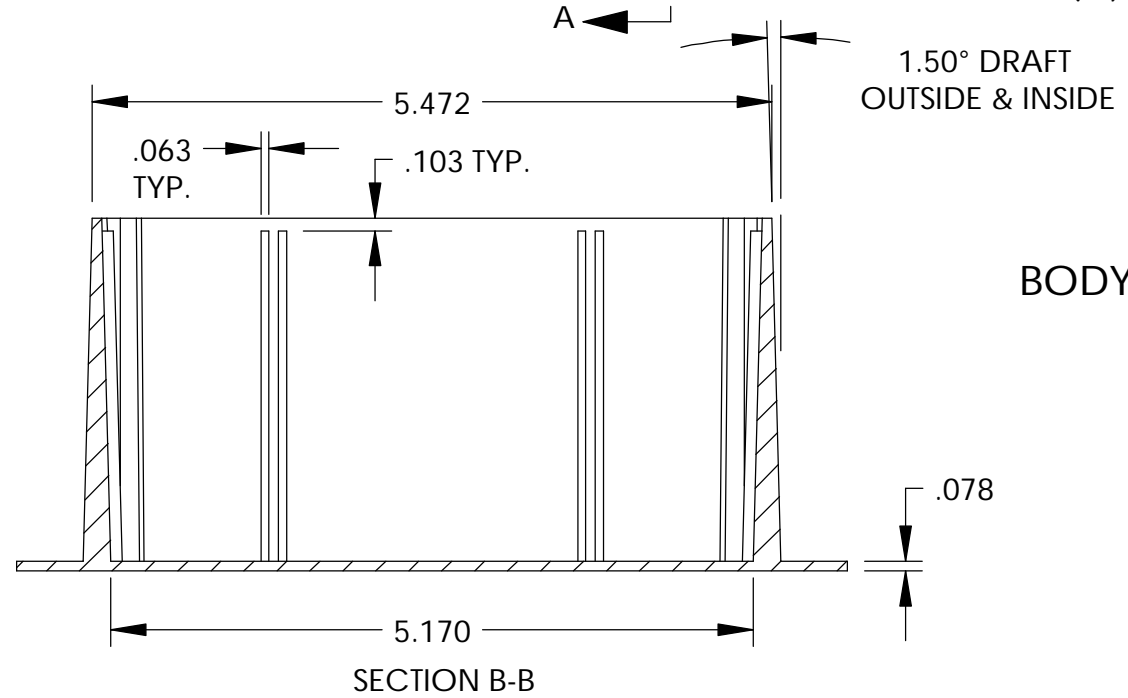
SECTION A-A



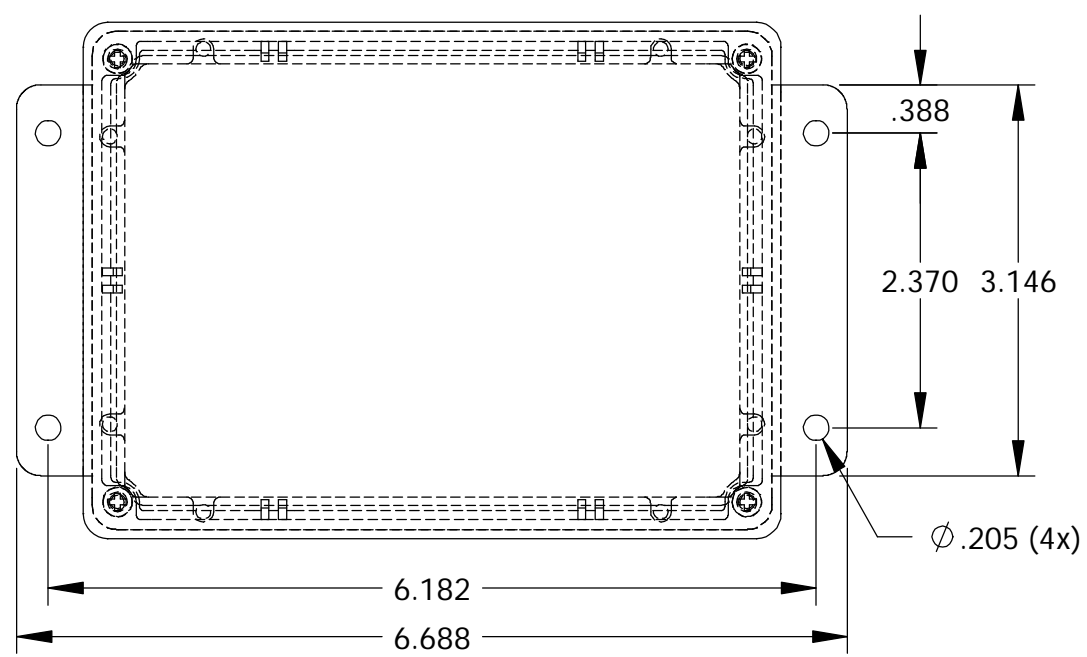
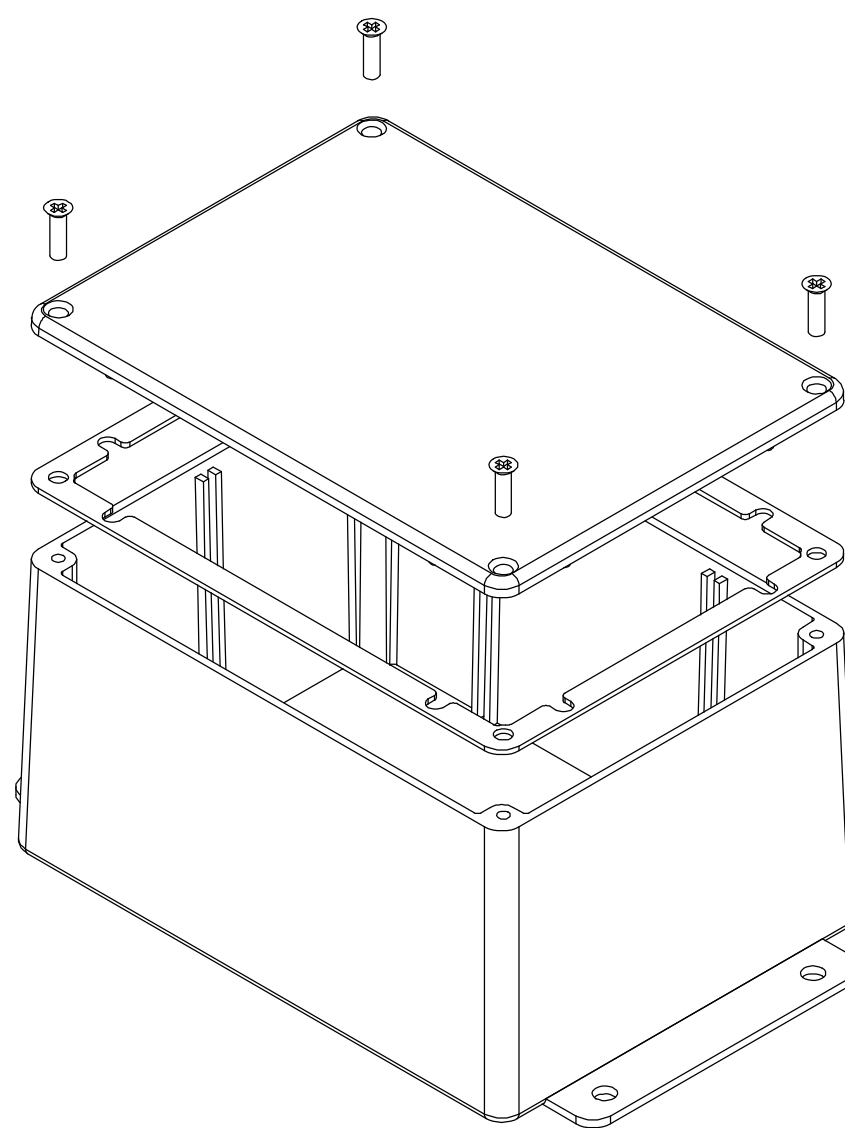
COVER



SECTION C-C



BODY



PARTS LIST			
±.005 BETWEEN HOLE CENTERS	CAD GENERATED DRAWING. DO NOT MANUALLY UPDATE	BUD INDUSTRIES INC.	
±.015 FROM SHEARED EDGE		DIE CAST ALUMINUM ENCLOSURE	
±.032 FROM A BENT SURFACE		APPROVALS	DATE
±.062 BETWEEN ASSEMBLED SURFACES		DRAWN	4-3-06
UNLESS OTHERWISE SPECIFIED		CHECKED	
MATERIAL		APPROVED	
AS NOTED			
AS NOTED			
QTY.	USED ON	SCALE	DWG. NO. CN-6707
		DO NOT SCALE DRAWING	REV.
			CAD FILE: SHEET 1 OF 1